

Amendment 4

Snohomish County Courthouse Security Retrofit

**System Type(s):
- Optical Turnstile -**

**Siemens Industry, Inc.
Building Technologies Security Division
15900 SE Eastgate Way, Ste.200
Bellevue, WA 98008**

Presented by:
Paul Pritchard
Paul.pritchard@siemens.com
425-289-9968

Siemens Industry, Inc.

Date: 01 AUG 2018

To: Jeff Hencz – Snohomish County

RE: **Turnstiles - SnoCo Courthouse Security System Retrofit**

Siemens Industry, Inc. (SII) is pleased to provide the following quote for the above referenced project. This quote is based on Snohomish County Courthouse construction planning meeting dated May 23, 2018 which included Snohomish County, Hoffman Construction, and OAC Services. Specification Section 111400 – Optical Turnstile Equipment, Construction Documents (5/4/2018) completed by CBRE IHEERY.

Financial Summary

Courthouse Turnstiles Investment: \$ 44,450.00

Solution Overview

Snohomish County and Hoffman Construction identified the requirement for an optical turnstile for the Snohomish County Courthouse Renovation. A project meeting determined the Optical Turnstile Equipment in SS 111400 is considered part of the security scope. Siemens was engaged to add the turnstiles to our Siemens scope of work.

Proposed Scope of Work

Optical Turnstile

Siemens shall provide a turnstile installation of two (2) AUTOMATIC CONTROL SYSTEMS (ACS) Optical Lane turnstiles. Both will be located at the security screening area of the Snohomish Courthouse and will be used as "Exit Only" lanes. The turnstiles will consist of one (1) Optical Intermediate unit and two (2) Optical End units. No barriers are included in this design. Siemens will deliver, install and commission both gates to assure full functionality.

- Turnstile #1 to be installed at Security Screening entry/exit and will provide 41 7/8" Width [1064mm].
- Turnstile #2 to be installed at Security Screening entry/exit and will provide 41 7/8" Width [1064mm].

Both turnstiles will be connected to the SiPass Access Control system to provide a remote alarm signal at the Snohomish County security control room. In addition, each turnstile includes a local sounder providing an audible alarm in the security screening area.

Snohomish County has requested each Turnstile to receive a card reader and applicable cabling for future use. Siemens will supply and install one (1) card readers per turnstile. Card readers will match the current Snohomish County standard. Applicable cabling will be provided by others. Siemens shall provide drawings define all cable types and cable installation locations.

Siemens Industry, Inc.

Optical Turnstile Cont'

****IMPORTANT NOTES**** Siemens *excludes* the following, related to turnstiles.

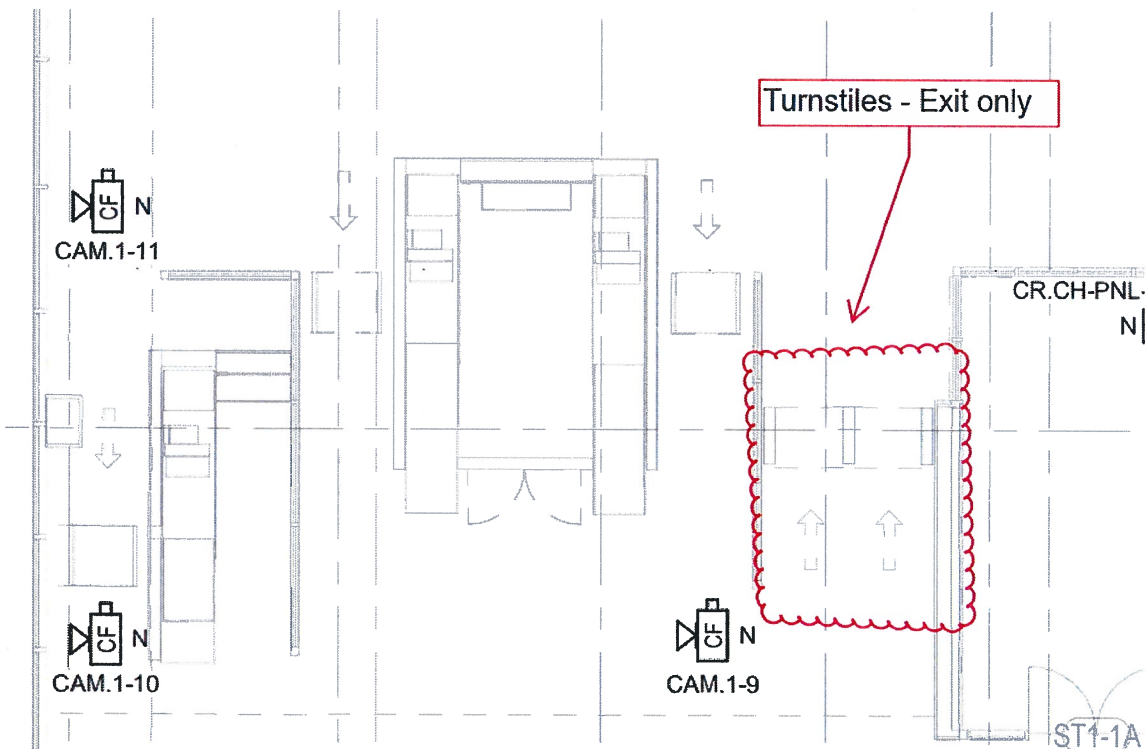
- Applicable structural requirements for mounting turnstiles. Siemens and Hoffman will discuss best installation practice for this application. Upon confirmation of the installation requirements, Hoffman Construction is responsible to provide any applicable structural or mounting requirements.
- Dedicated 110VAC / 20A circuit (circuit must be within 5ft from turnstile)
- Building Fire alarm connections, if applicable

Bill of Materials – Turnstiles

Security Screening Entrance 41 7/8"Width

- (1) ACS Slimline SC Optical Intermediate Unit –Security Exit Lane – 36" (915mm) pass thru lane width, includes sensor enhancement kit with glass side panels
- (2) ACS Slimline SC Optical Right & Left – Security Exit Lane - 36" (915mm) pass thru lane width, includes sensor enhancement kit with glass side panels
- (2) ACS Sounder Units
- (2) HID iClass Card Readers (mullion mount style)
- (1) Remaining required equipment for full functioning turnstile

***NOTE* 10-week manufacture lead time.**



Snohomish County Courthouse
SIEMENS BUILDING TECHNOLOGY – SECURITY DIVISION

Siemens Industry, Inc.

Clarifications

- Turnstile manufacturing lead time requires 10-weeks lead time with required 35% deposit with order.
- Siemens will furnish material cut sheets for submittal, for Siemens provided materials.
- Pricing includes project management for the duration of the tentative project schedule.
- Pricing includes one (1) year warranty
- Materials pricing is for the extent of the tentative project schedule.
- Work is assumed to be completed during normal business hours Monday –Friday (7am-5pm).
- Pricing includes standard ground shipping (5-7day est. delivery)
- All necessary 110/120VAC connections are included in Siemens projectscope.
- Owner to provide client workstations, network connectivity, POE network switches, and network addressing scheme. Network must be full-functioning by completion of security project.
- Security engineered ACAD security drawings ARE included in proposal price. Upon award of contract to Siemens Industry, Inc. we require the 100% Contract drawings in ACAD format for purposes of preparing shop drawings.

Exclusions

- Applicable structural requirements for mounting turnstiles. Siemens and Hoffman will discuss best installation practice for this application. Upon agreement of the installation requirements, Hoffman Construction is responsible to provide any applicable structural or mounting requirements.
- Dedicated 110VAC / 20A circuit (circuit must be within 5ft from turnstile)
- Cutting, painting and patching.
- Network connectivity or monitoring services for systems listed above.
- Fire Alarm system interface, if required.
- Performance or Payment bonds.
- Costs associated with schedule acceleration, project meetings, multiple trips onsite due to incompleion of others, or multiple unplanned phases.
- Gates, motors and ground loop devices, to be provided by others.

This proposal is based on the Siemens Industry, Inc. Standard Terms and Conditions and the "Scope of work" and is to be considered part of this proposal. Proposal is valid for sixty (60) days from the delivery date. Payment is due within 30 days of invoice date.

Payment Terms: 35% mobilization in advance, progress payments, NET30

Please contact me immediately if you have any questions or concerns regarding this proposal. If this proposal is acceptable, please return a signed copy to our office via mail or fax. **This will serve as our notice to proceed with the work described herein.**

Proposal accepted by:

Name: _____
Company: KEN KLEIN
Title: Executive Director

Proposal submitted by:

Paul Pritchard
Security Sales Executive
Siemens Industry, Inc.



Signature

7-11-18

Date

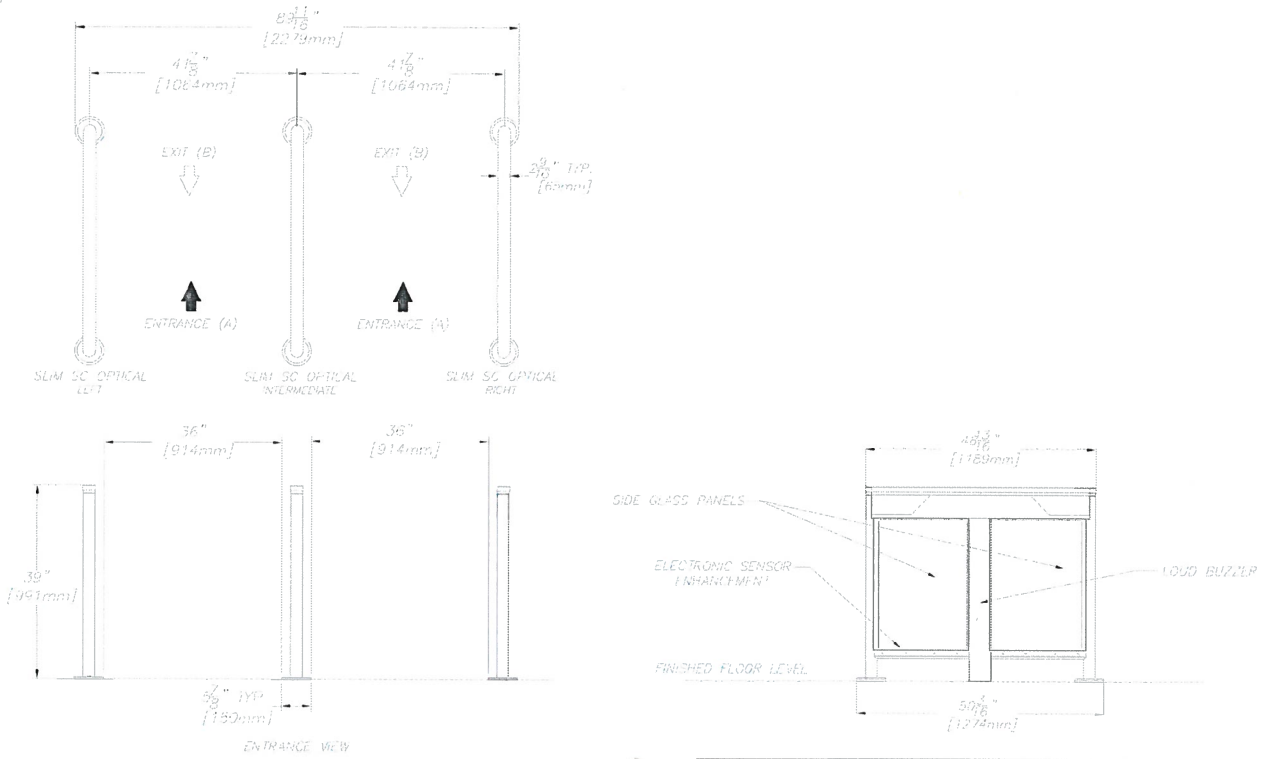


Signature

8/1/2018

Date

**Snohomish County Courthouse
SIEMENS BUILDING TECHNOLOGY – SECURITY DIVISION**



NOTE:
 1 FOR ELECTRICAL CONNECTIONS, CONSULT ALSO TEMPLATE LAYOUT REFER 70.NAV-SLM-EL-47-EN

2-FOR READER DIMENSIONS REFER TO NAM-SLM-DS-0-EN

AUTOMATIC SYSTEMS MAKES NO REPRESENTATION AS TO THE PROPER POSITIONING OF THE SECURITY ENTRANCE LANES AT THE INSTALLATION LOCATION. ESTABLISHING THE LAYOUT AND PLACEMENT OF THE UNITS AND DETERMINING COMPLIANCE WITH THE APPLICABLE BUILDING CODES, OTHER CODES, LAWS AND REGULATIONS IS THE SOLE RESPONSIBILITY OF THE PURCHASER. INSTALLATION MUST BE PERFORMED BY A QUALIFIED INSTALLER FOLLOWING MANUFACTURER'S INSTRUCTIONS. OTHERWISE AUTOMATIC SYSTEMS WARRANTIES MAY BE VOID.

| REV | DATE | MODIFICATIONS/CHANGES | PREP BY |
|-----|------|-----------------------|---------|
| | | | |
| | | | |
| | | | |

| | |
|---------------------|--|
| MATERIAL/MATERIAL | |
| TREATMENT/PROTECTOR | |
| FINISH | |
| NO. App | |
| POUVOIR | |
| SURFACE | |

LES INFORMATIONS CONTENUES SUR LES DESSINS DE ASA INC SONT CONFIDENTIELLES ET SONT LA PROPRIÉTÉ DE ASA INC. TOUTES REPRODUCTIONS, DISTRIBUTIONS OU UTILISATIONS SONT INTERDITES SANS LA PERMISSION D'ASA INC.

INFORMATION DISCLOSED HERE IS CONFIDENTIAL AND IS THE PROPERTY OF ASA INC. ANY REPRODUCTION, DISTRIBUTION OR USE IS PROHIBITED WITHOUT A WRITTEN CONSENT BY ASA INC.

| | |
|--|--|
| LES DIMENSIONS SONT EN POUCE / DIMENSIONNEMENT EN mm | ESBARRER & DELIVRER LES ARCHES QU'ELLES DIM SELON ASME Y14.5 1994 NE PAS MESURER SUR LE DESSIN |
| TOLERANCES | BREAK ALL SHARP EDGES AND CORNERS ALL DIMENSIONS UNLESS OTHERWISE NOTED |
| Ø | ± 0.05 |
| Ø | ± 0.10 |
| Ø | ± 0.15 |
| Ø | ± 0.20 |
| Ø | ± 0.25 |
| Ø | ± 0.30 |
| Ø | ± 0.35 |
| Ø | ± 0.40 |
| Ø | ± 0.45 |
| Ø | ± 0.50 |
| Ø | ± 0.55 |
| Ø | ± 0.60 |
| Ø | ± 0.65 |
| Ø | ± 0.70 |
| Ø | ± 0.75 |
| Ø | ± 0.80 |
| Ø | ± 0.85 |
| Ø | ± 0.90 |
| Ø | ± 0.95 |
| Ø | ± 1.00 |
| Ø | ± 1.05 |
| Ø | ± 1.10 |
| Ø | ± 1.15 |
| Ø | ± 1.20 |
| Ø | ± 1.25 |
| Ø | ± 1.30 |
| Ø | ± 1.35 |
| Ø | ± 1.40 |
| Ø | ± 1.45 |
| Ø | ± 1.50 |
| Ø | ± 1.55 |
| Ø | ± 1.60 |
| Ø | ± 1.65 |
| Ø | ± 1.70 |
| Ø | ± 1.75 |
| Ø | ± 1.80 |
| Ø | ± 1.85 |
| Ø | ± 1.90 |
| Ø | ± 1.95 |
| Ø | ± 2.00 |
| Ø | ± 2.05 |
| Ø | ± 2.10 |
| Ø | ± 2.15 |
| Ø | ± 2.20 |
| Ø | ± 2.25 |
| Ø | ± 2.30 |
| Ø | ± 2.35 |
| Ø | ± 2.40 |
| Ø | ± 2.45 |
| Ø | ± 2.50 |
| Ø | ± 2.55 |
| Ø | ± 2.60 |
| Ø | ± 2.65 |
| Ø | ± 2.70 |
| Ø | ± 2.75 |
| Ø | ± 2.80 |
| Ø | ± 2.85 |
| Ø | ± 2.90 |
| Ø | ± 2.95 |
| Ø | ± 3.00 |
| Ø | ± 3.05 |
| Ø | ± 3.10 |
| Ø | ± 3.15 |
| Ø | ± 3.20 |
| Ø | ± 3.25 |
| Ø | ± 3.30 |
| Ø | ± 3.35 |
| Ø | ± 3.40 |
| Ø | ± 3.45 |
| Ø | ± 3.50 |
| Ø | ± 3.55 |
| Ø | ± 3.60 |
| Ø | ± 3.65 |
| Ø | ± 3.70 |
| Ø | ± 3.75 |
| Ø | ± 3.80 |
| Ø | ± 3.85 |
| Ø | ± 3.90 |
| Ø | ± 3.95 |
| Ø | ± 4.00 |
| Ø | ± 4.05 |
| Ø | ± 4.10 |
| Ø | ± 4.15 |
| Ø | ± 4.20 |
| Ø | ± 4.25 |
| Ø | ± 4.30 |
| Ø | ± 4.35 |
| Ø | ± 4.40 |
| Ø | ± 4.45 |
| Ø | ± 4.50 |
| Ø | ± 4.55 |
| Ø | ± 4.60 |
| Ø | ± 4.65 |
| Ø | ± 4.70 |
| Ø | ± 4.75 |
| Ø | ± 4.80 |
| Ø | ± 4.85 |
| Ø | ± 4.90 |
| Ø | ± 4.95 |
| Ø | ± 5.00 |
| Ø | ± 5.05 |
| Ø | ± 5.10 |
| Ø | ± 5.15 |
| Ø | ± 5.20 |
| Ø | ± 5.25 |
| Ø | ± 5.30 |
| Ø | ± 5.35 |
| Ø | ± 5.40 |
| Ø | ± 5.45 |
| Ø | ± 5.50 |
| Ø | ± 5.55 |
| Ø | ± 5.60 |
| Ø | ± 5.65 |
| Ø | ± 5.70 |
| Ø | ± 5.75 |
| Ø | ± 5.80 |
| Ø | ± 5.85 |
| Ø | ± 5.90 |
| Ø | ± 5.95 |
| Ø | ± 6.00 |
| Ø | ± 6.05 |
| Ø | ± 6.10 |
| Ø | ± 6.15 |
| Ø | ± 6.20 |
| Ø | ± 6.25 |
| Ø | ± 6.30 |
| Ø | ± 6.35 |
| Ø | ± 6.40 |
| Ø | ± 6.45 |
| Ø | ± 6.50 |
| Ø | ± 6.55 |
| Ø | ± 6.60 |
| Ø | ± 6.65 |
| Ø | ± 6.70 |
| Ø | ± 6.75 |
| Ø | ± 6.80 |
| Ø | ± 6.85 |
| Ø | ± 6.90 |
| Ø | ± 6.95 |
| Ø | ± 7.00 |
| Ø | ± 7.05 |
| Ø | ± 7.10 |
| Ø | ± 7.15 |
| Ø | ± 7.20 |
| Ø | ± 7.25 |
| Ø | ± 7.30 |
| Ø | ± 7.35 |
| Ø | ± 7.40 |
| Ø | ± 7.45 |
| Ø | ± 7.50 |
| Ø | ± 7.55 |
| Ø | ± 7.60 |
| Ø | ± 7.65 |
| Ø | ± 7.70 |
| Ø | ± 7.75 |
| Ø | ± 7.80 |
| Ø | ± 7.85 |
| Ø | ± 7.90 |
| Ø | ± 7.95 |
| Ø | ± 8.00 |
| Ø | ± 8.05 |
| Ø | ± 8.10 |
| Ø | ± 8.15 |
| Ø | ± 8.20 |
| Ø | ± 8.25 |
| Ø | ± 8.30 |
| Ø | ± 8.35 |
| Ø | ± 8.40 |
| Ø | ± 8.45 |
| Ø | ± 8.50 |
| Ø | ± 8.55 |
| Ø | ± 8.60 |
| Ø | ± 8.65 |
| Ø | ± 8.70 |
| Ø | ± 8.75 |
| Ø | ± 8.80 |
| Ø | ± 8.85 |
| Ø | ± 8.90 |
| Ø | ± 8.95 |
| Ø | ± 9.00 |
| Ø | ± 9.05 |
| Ø | ± 9.10 |
| Ø | ± 9.15 |
| Ø | ± 9.20 |
| Ø | ± 9.25 |
| Ø | ± 9.30 |
| Ø | ± 9.35 |
| Ø | ± 9.40 |
| Ø | ± 9.45 |
| Ø | ± 9.50 |
| Ø | ± 9.55 |
| Ø | ± 9.60 |
| Ø | ± 9.65 |
| Ø | ± 9.70 |
| Ø | ± 9.75 |
| Ø | ± 9.80 |
| Ø | ± 9.85 |
| Ø | ± 9.90 |
| Ø | ± 9.95 |
| Ø | ± 10.00 |

AUTOMATIC SYSTEMS

FILE NAME
 NAM-SLM-IN-075-EN.DWG

TITRE S LIM LANE SC OPTICAL 2 LANES

TITLE

DESIGNER PAR OHL

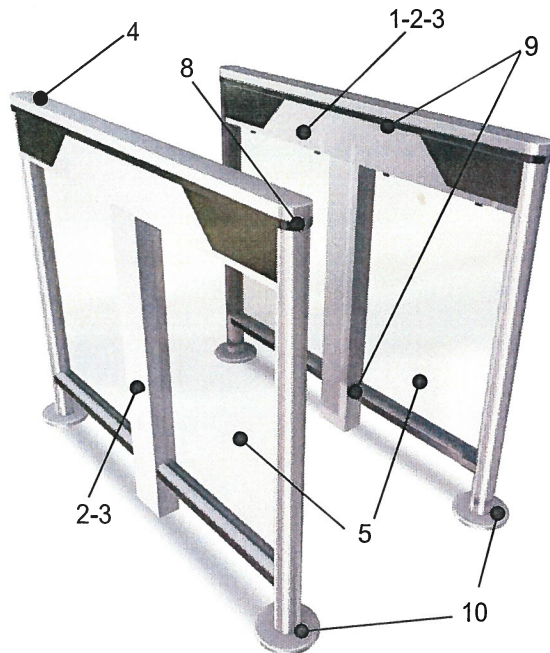
VERIFIE PAR CHECKED BY SOS

N/A

2018/07/03 1 1

NAM-SLM-IN-075-EN A

|| SlimLane



DESCRIPTION

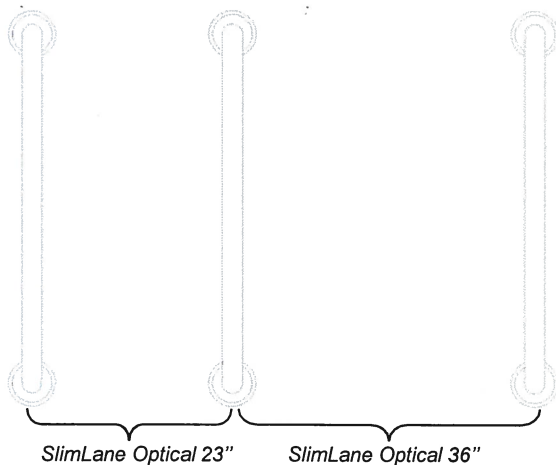
1. Handrail frame: steel beam with RoHS anti-corrosion zinc plating treatment and stainless steel posts. The handrail includes photoelectric cells for user detection and the logic control board.
2. Brushed #4 AISI 304L stainless steel housing.
3. Brushed #4 AISI 304L stainless steel panels fastened to the frame for access to the internal components.
4. Brushed #4 AISI 304L stainless steel top cover.
5. Clear, 1/4 in (6 mm) thick tempered glass side panels.
6. Logic control board, equipped with ARM 9 technology and Linux operating system, ensures advanced traffic management. An embedded web server, accessible through a web browser, offers an interface for the configuration of the gates functional parameters, as well as a complete diagnostic and maintenance tool.
7. Transfer of information is done by XML-RPC protocol (Ethernet interface or USB) and dry contacts: passage authorization, passage information, reader locking, fraud, equipment failure ...
8. Orientation and function pictograms indicate the gates passage status to the user.
9. Proprietary DIRAS detection system, consisting of a high-density matrix of infrared transmitter/receiver photocell beams. It follows the users' progression through the gate and detects any fraudulent passage attempts.
10. Finishing plate for posts.

The **SlimLane Optical Lane** offers a high bidirectional throughput.

The unobtrusive and elegant design also offers a minimal footprint. The SlimLane Optical Lane is designed to integrate perfectly into any architectural style.

Equipped with a high throughput processing capacity and an exclusive detection system, the SlimLane Optical Lane guarantees accurate user tracking and signals unauthorized uses.

The SlimLane Optical Lane is a modular product that can be installed as a single lane or within a multi-lane array and is available in varying passageway widths.



STANDARD TECHNICAL CHARACTERISTICS

| | |
|--|--|
| Power requirement | 15 A @ 24VDC 6 A @ 120 VAC (optional) |
| Consumption per lane | Max: 50 W |
| Passageway (W) | from 23"(584 mm) to 47 ¼" (1200 mm) |
| Ambient operating T° | 32 to 122°F (0 to +50°C) |
| Ambient relative humidity in operation | < 95%, no condensation |
| Sound level | 55 dB |
| Weight | ± 70 lbs (32 kg) (per unit) |
| IP | 40 |
| Certification | As per UL 2593, File E210350 |

OPTIONS

- 120 VAC Power supply.
- Standard reader integration inside the unit
- Standard support bracket for external reader integration.
- Barcode reader integration.
- Reader post.
- Custom top cover.
- Fixing frame embedded in the concrete, to anchor the equipment and pass the electric cables.
- Ramp.
- Monitoring panel.
- Connectivity kit for Ethernet connection of one or more lanes to the network.

WORK NOT INCLUDED

- Performing the electrical interconnection and connections to the power grid
- Performing the connections to the access control systems
- Anchoring the equipment with the appropriate hardware for your floor type

All work should be performed as per the implementation and interconnection diagrams provided.

STANDARD DIMENSIONS (inches / mm)

